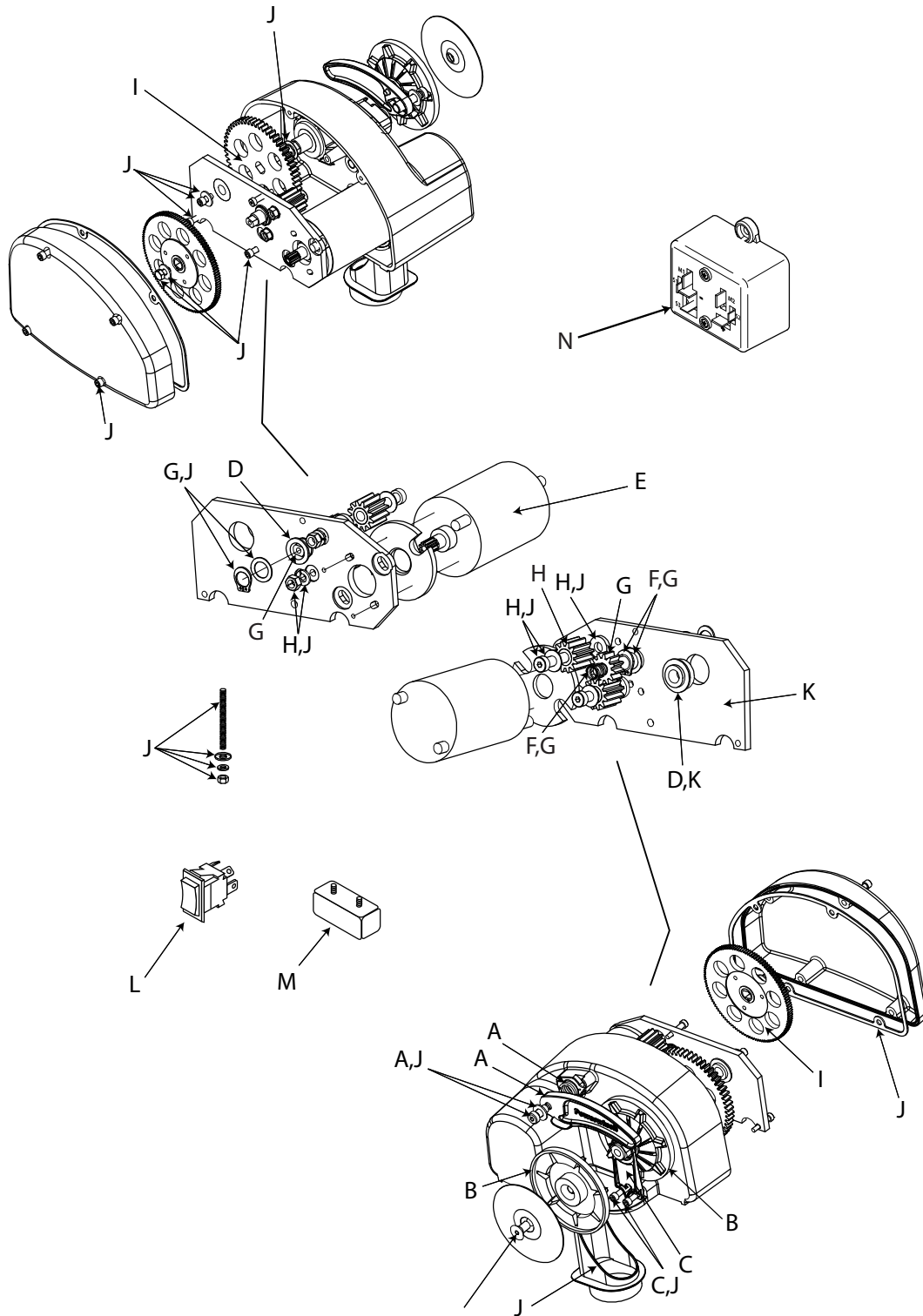


31', 36', 41', 46' Class Anchor Winch



Ref. Letter	Description	31' Class	36' Class	41' Class	46' Class
A	Replacement Finger Kit	R001430	R001443	R001443	R001443
B	Replacement Gypsy Kit	R001431	R001431	R001449	R001449
C	Replacement Stripper Kit	R001432	R001432	R001432	R001432
D	Replacement Bearing Kit	R001433	R001433	R001433	R001443
E	Replacement Motor Kit	R001434	R001434	R001434	R001450
F	Replacement Shock Absorber Kit	R001435	R001435	R001435	-
G	Replacement Spinoff Gear/Shaft Kit	R001436	R001436	R001436	R001446
H	Replacement Locking Gear Kit	R001437	R001437	R001437	R001445
I	Replacement Gear Kit	R001438	R001438	R001438	R001438
J	Replacement Fastener Kit	R001439	R001439	R001439	R001444
K	Replacement Motor Plate Kit	R001440	R001440	R001440	R001440
L	Replacement Switch Kit	R001441	R001441	R001441	R001447
M	Replacement Circuit Breaker Kit	P1027600AJ	P1027600AJ	P1027600AJ	P1064800AJ
N	Replacement Relay Kit	-	-	-	P1028200AJ

800 397 7553