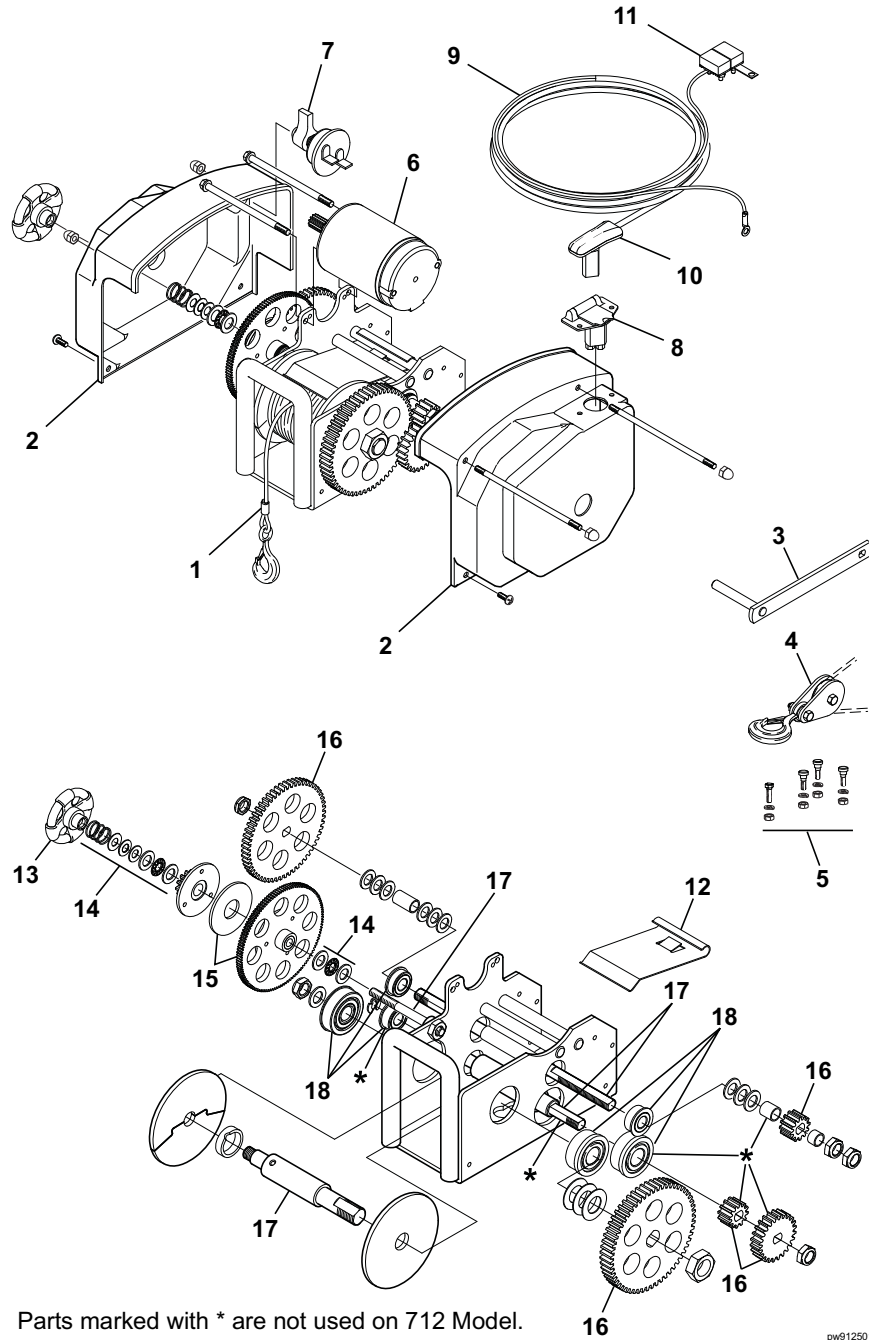
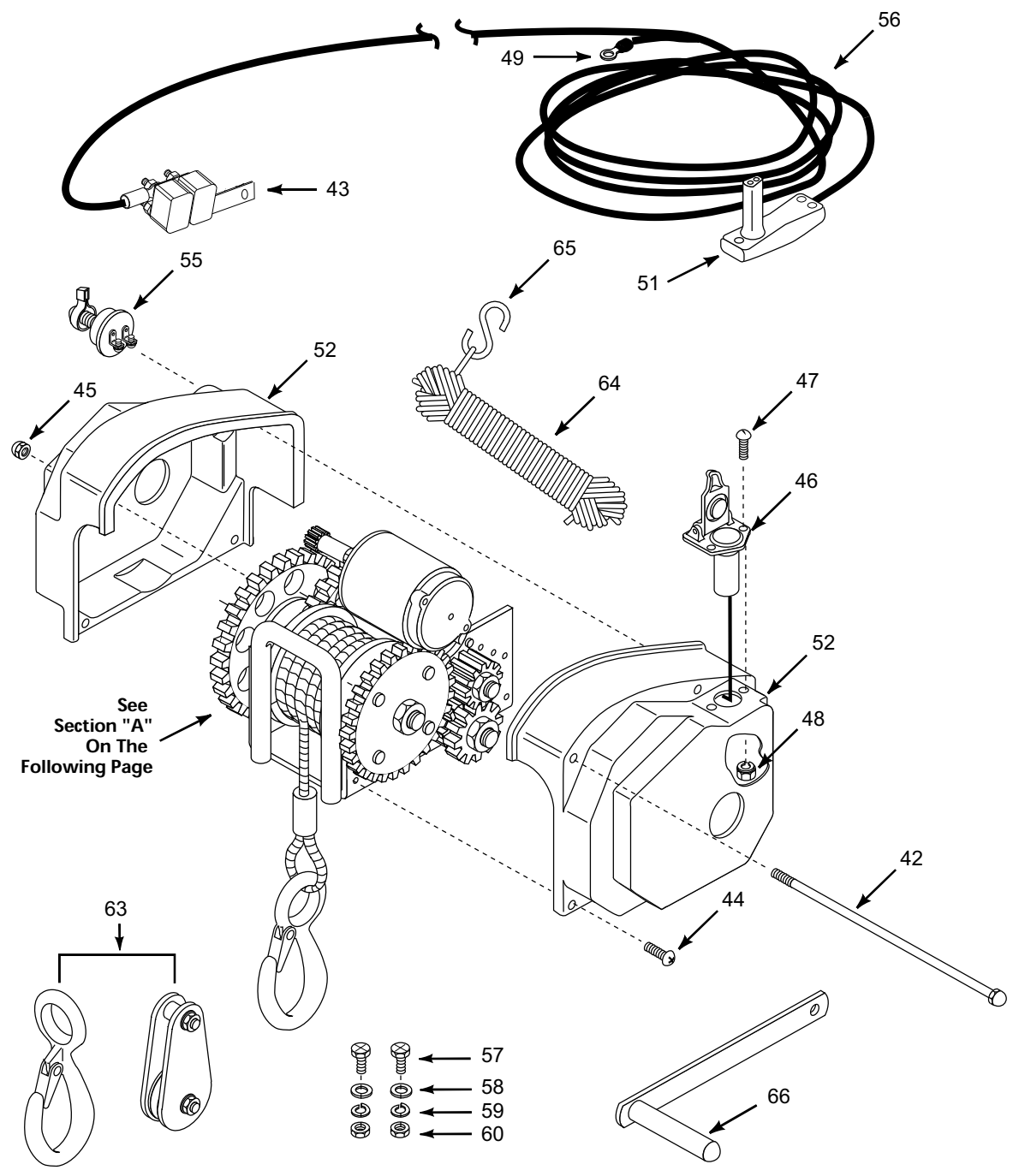


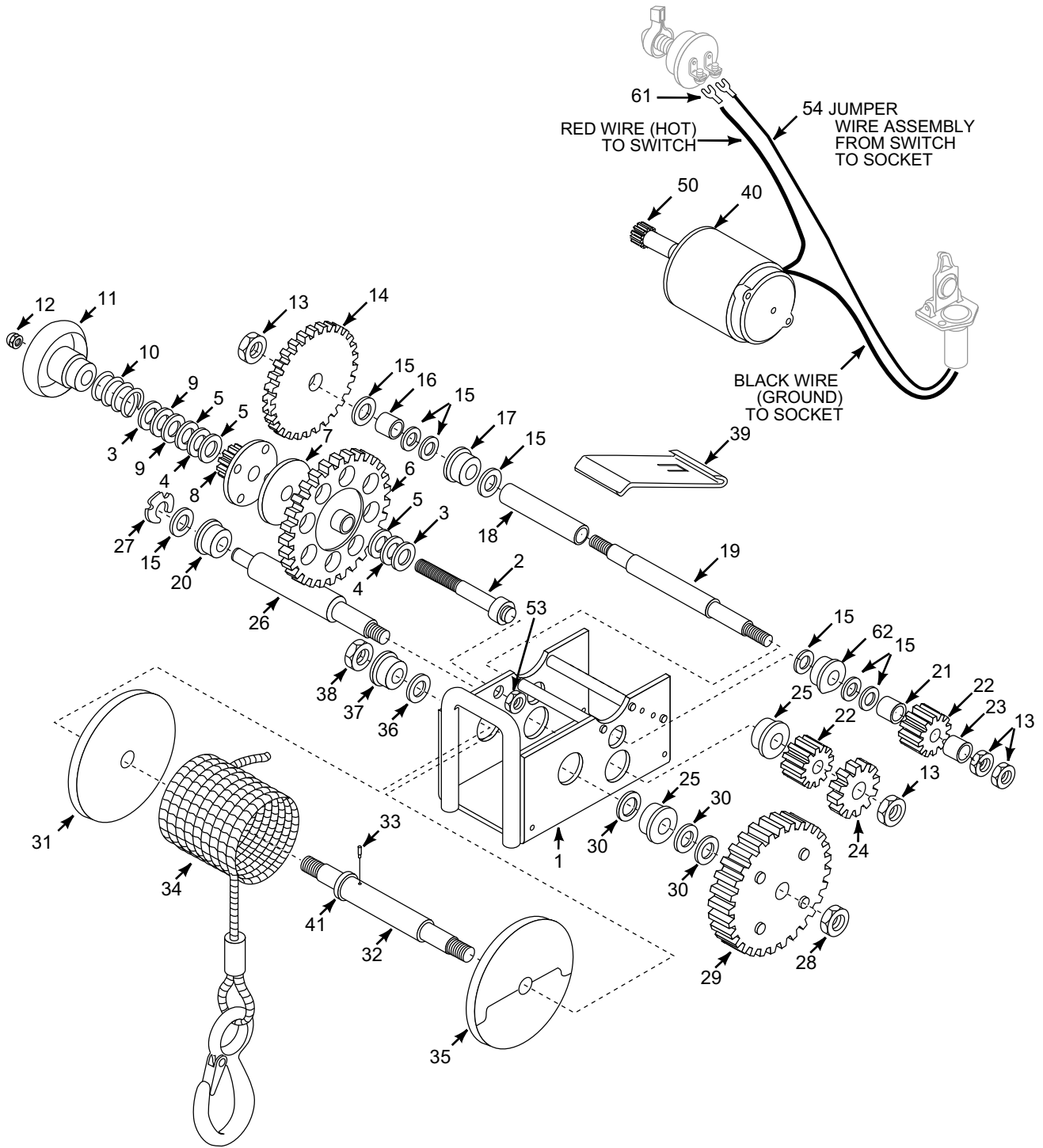
REPLACEMENT PARTS LIST



POWERWINCH		712 & 912 BOAT TRAILER WINCH		
Item	712	912	Description	Notes
1	P7188800AJ	P7188800AJ	Cable Assy, 7/32" x 40'	1
2	R001284	R001292	Cover Kit	
3	P5594700AJ	P5594700AJ	Emergency Hand Crank	
4	P7904300AJ	P7904300AJ	Pulley Block Kit	
5	P7700000AJ	P7700000AJ	Quick Mount Kit	
6	R001287	R001295	Motor Assy	
7	P7811700AJ	P7811700AJ	Switch	
8	P7810300AJ	P7810300AJ	Socket, Power	
9	P7830201AJ	P7830201AJ	Wire Harness w/ items 6 & 7	
10	P7810500AJ	P7810500AJ	Plug, Wire Harness	
11	P7837300AJ	P7837300AJ	Circuit Breaker, 60amp	
12	R001275	R001275	Level Wind Plate	
13	R001314	R001314	Clutch Knob	
14	P7160901AJ	P7160901AJ	Clutch Spring and Washer Kit	
15	R001283	R001291	120T Gear Kit	
16	R001282	R001290	Gear Kit	
17	R001285	R001293	Shaft Kit	
18	R001281	R001289	Bearing Kit	
19	R001286	R001294	Fastener Kit	
	The following repair kits are also available			
20	P91007	P91007	Drum Shaft and Gear Kit	3
21	n/a	P91008	Intermediate Shaft and Gear Kit	3
22	P91010	P91009	Rear Shaft and Gear Kit	3

- Notes
1. Fasteners are included with kit.
 2. Fasteners and washers not index on illustration are part of the fastener kit (item 19).
 3. The shaft and gear kits (items 20,21,22) contain the respective shaft, gears, bearings and associated hardware





For Replacement Parts, Call 1-800-243-3097

Please provide following information:

- Model number
- Serial number (if any)
- Part descriptions and number as shown in parts list

Address parts correspondence to:

Powerwinch
301 Lawton Ave
Monroe, OH 45050

Ref. No.	Description	Part Number	Qty	Ref. No.	Description	Part Number	Qty
1	Frame assembly	P70102	1	46	Socket	P78103	1
2	Clutch stud assembly	P71101	1	47	#10-32 x 1/2" Phillips head machine screw	ST071621AV	2
3	Thrust race	P71612	2	48	#10-32 Hex nut	P79701	2
4	Thrust bearing	P71609	2	49	12-10 Ring terminal-5/16 stud	ST072726AV	1
5	Thrust washer	P71613	3	50	Motor gear, 12T, RH	P71714	1
6	Compound drive gear assembly	P71759	1	51	Power cable plug	P78105	1
7	Clutch lining	P73602	1	52	Cover	P10540	1
8	Pinion clutch gear assembly	P71755	1	53	1/2-20 Hex nut	P79713	1
9	Spring washer	P79800	2	54	Jumper wire (socket to switch)	P78086	1
10	Backlash spring	P71902	1	55	Switch w/hardware	P78117	1
11	Clutch knob	P79402	1	56	Wiring harness assembly	P78302	1
12	3/8-24 Jam nut	P10122	1	57	3/8-16 x 1-1/4 Hex head machine screw	P78654	2
13	1/2-20 Lock nut	P79738	4	58	3/8 Plain washer	ST070913AV	2
14	Drive gear 57 T	P71703	1	59	3/8" Lockwasher	P79804	2
15	Washer	P71822	8	60	3/8-16 Hex nut	P79710	2
16	Rear shaft spacer, long	P71818	1	61	12-10 Spade terminal-1/4 stud	ST072727AV	1
17	Bearing	P71607	1	62	Rear shaft bearing-dbl row-notch	P71608	1
18	Rear shaft spacer	P71819	1	63	Pulley block	P79043	1
19	Rear gear shaft,	P71201	1	64	Lanyard cord	P79014	1
20	Rear shaft bearing-dbl row	P71608	1	65	S hook	P79013	1
21	Rear gear spacer	P71817	1	66	Hand Crank	P7704100AJ	1
22	Pinion gear 12T	P71704	2				
23	Rear shaft spacer, short	P71816	1				
24	Idler gear 24T	P71796	1				
25	Bearing-dbl row, cable shaft	P71606	2				
26	Intermediate shaft	P71301	1				
27	Retaining ring	ST070233AV	1				
28	Tri-loc nut	P79715	1				
29	Cable shaft gear assembly	P71795	1				
30	Spacer washer	P71821	3				
31	Cable shaft flange, solid	P71951	1				
32	Cable shaft	P71401	1				
33	Cable fastener	P71858	1				
34	7/32 x 40 Cable assembly	P7188800AJ	1				
35	Cable shaft flange, split	P71953	1				
36	Spacer	P71820	1				
37	Cable shaft bearing	P71605	1				
38	5/8"-16 Hex jam nut	P79716	1				
39	Levelwind plate	P70212	1				
40	Motor assembly	P90000	1				
41	Cable collar (left hand)	P79088	1				
42	Cover rod	P75603	2				
43	Circuit breaker 60 amp	P78373	1				
44	#10-32 x 1/2" Self tapping Phillips hd. mach screw	P79566	4				
45	#6-32 Acorn nut	P79719	4				

Notes