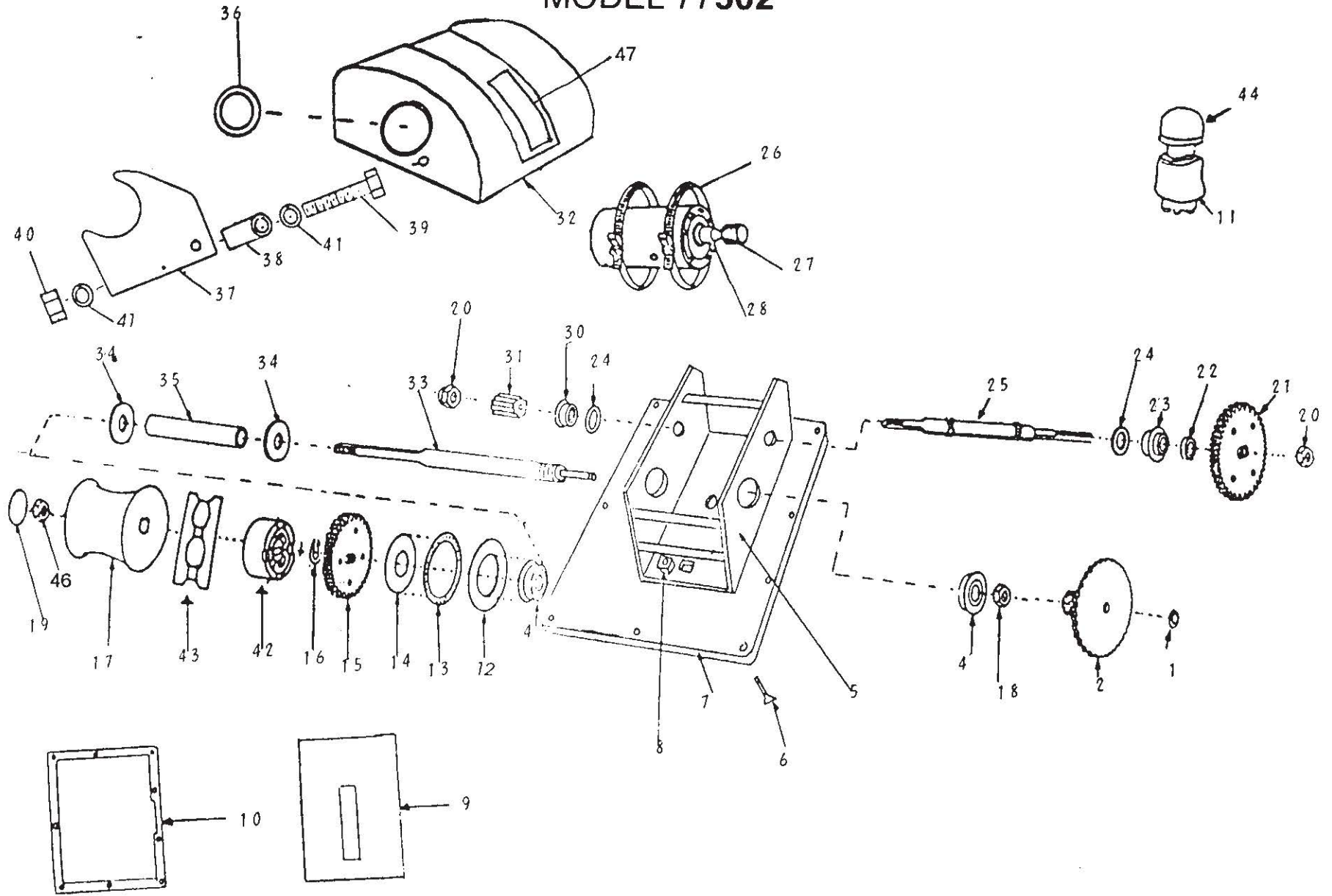


MODEL 77502

10



800 397 7553

MODEL 502

KEY #	PART #	DESCRIPTION	QTY. USED
1	79852	Split Ring Retainer	1
2	71758	Powdered Metal Gear Assembly	1
4	71604	Bearing Nucor 33061	2
5	70147	Frame	1
6	79527	10-24 Flat Head Screw	9
7	75304	Base Plate	1
8	79711	3/8-16 Retaining Unit	2
9	75908	Deck Gasket	1
10	75907	Base Gasket	1
11	78176	Footswitch	1
12	71641	2.0 ID × 2.75 OD Thrust Bearing Washer	1
13	71622	Thrust Bearing NTA 3244	1
14	71642	.975 ID × 2.0 OD Washer	1
15	P71715	1/2 × 5/8 Gear - Hard	4
16	79047	Horseshoe Retainer	1
17	73702	Capstan	1
18	79715	5/8-18 Nut	1
19	75790	Capstan End Seal	1
20	79712	1/2-20 Nut	2
21	71703	Drive Gear	1
22	71832	Rear Shaft Spacer	1
23	71607	F-300 Bearing	1
24	71822	.060 × .515 × .875 Washer	2
25	71304	Rear Shaft	1
26	72203	Motor Strap	3
27	71769	Motor Gear 16T R.H.	1
28	72002	Motor	1
30	71608	DF-2342 Bearing	1
31	71704	Pinion Gear	1
32	74187	Aluminum Cover	1
33	71005	Main Shaft	1
34	79966	1.250 × .628 × .190 Washer	2
35	71827	Main Shaft Tube Spacer	1
36	75901	Capstan Seal	1
37	73726	Chain Stripper	1
38	73729	Chain Stripper Spacer	1
39	79972	3/8-16 × 2 SS Screw	1
40	79973	3/8-16 SS Nut	1
41	79809	3/8 Lock Washer	2
42	71841	Aluminum Spacer	1
43	73723	Wildcat 5/16 P.C.	1
44	78177	Footswitch Cap	1
46	79969	5/8-18 Brass Nut	1
47	P70339	Model ID Decal 502	1