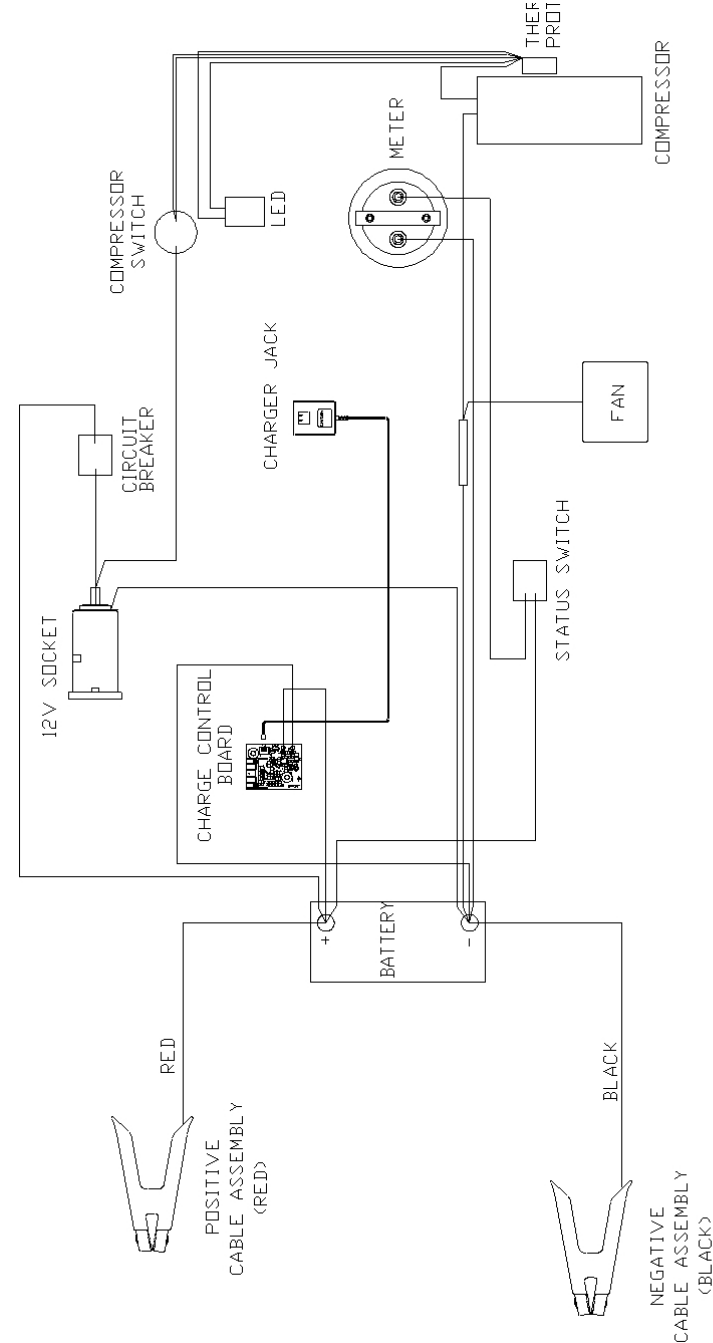


ITEM	PART NUMBER	DESCRIPTION
1	238-037-666	NEG CABLE ASSY & POS CABLE ASSY <small>NEG CLAMP ONLY 249-093-000 POS CLAMP ONLY 249-094-000</small>
2	255-039-666	EXTERIOR HOSE ASSEMBLY
3	865-012-160	CHARGER, 15V 500mA W/CONTROL BOARD
4	247-095-666	VOLTMETER
5		
6		
7	246-411-666	SOCKET
8		
	260-012-666	COMPRESSOR
ACCESSORIES		DESCRIPTION
9	JNC105	22AMP HOUR BATTERY JNC105



WIRING DIAGRAM

SHOULD BE PERFORMED BY QUALIFIED SERVICE PERSONNEL

FORM NO. 842-450-000

tesstools.net