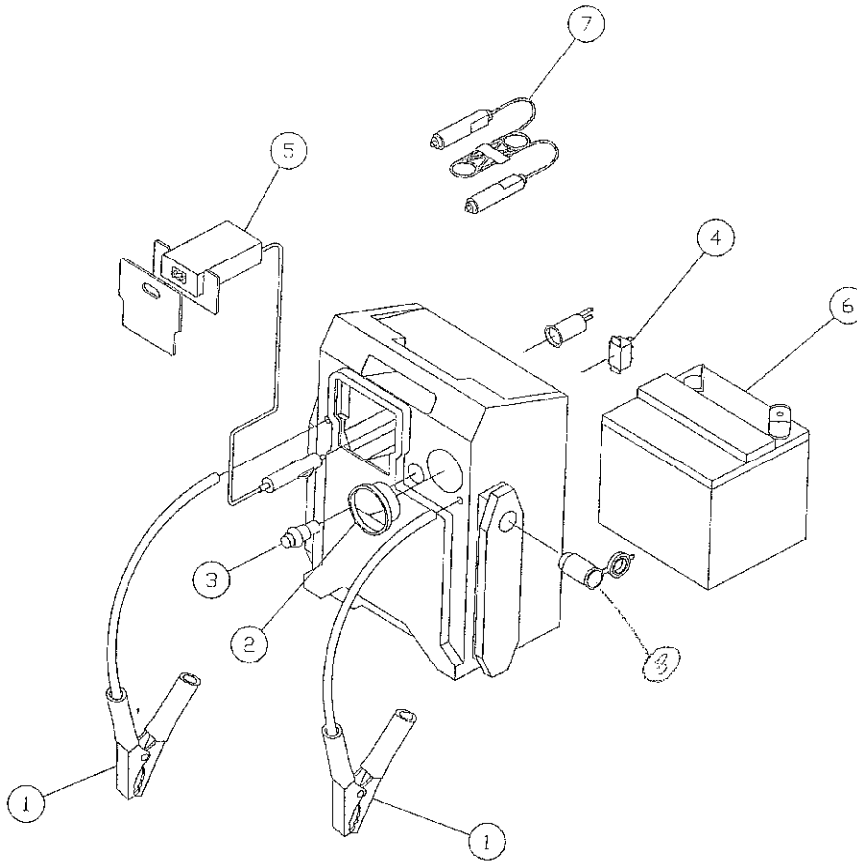


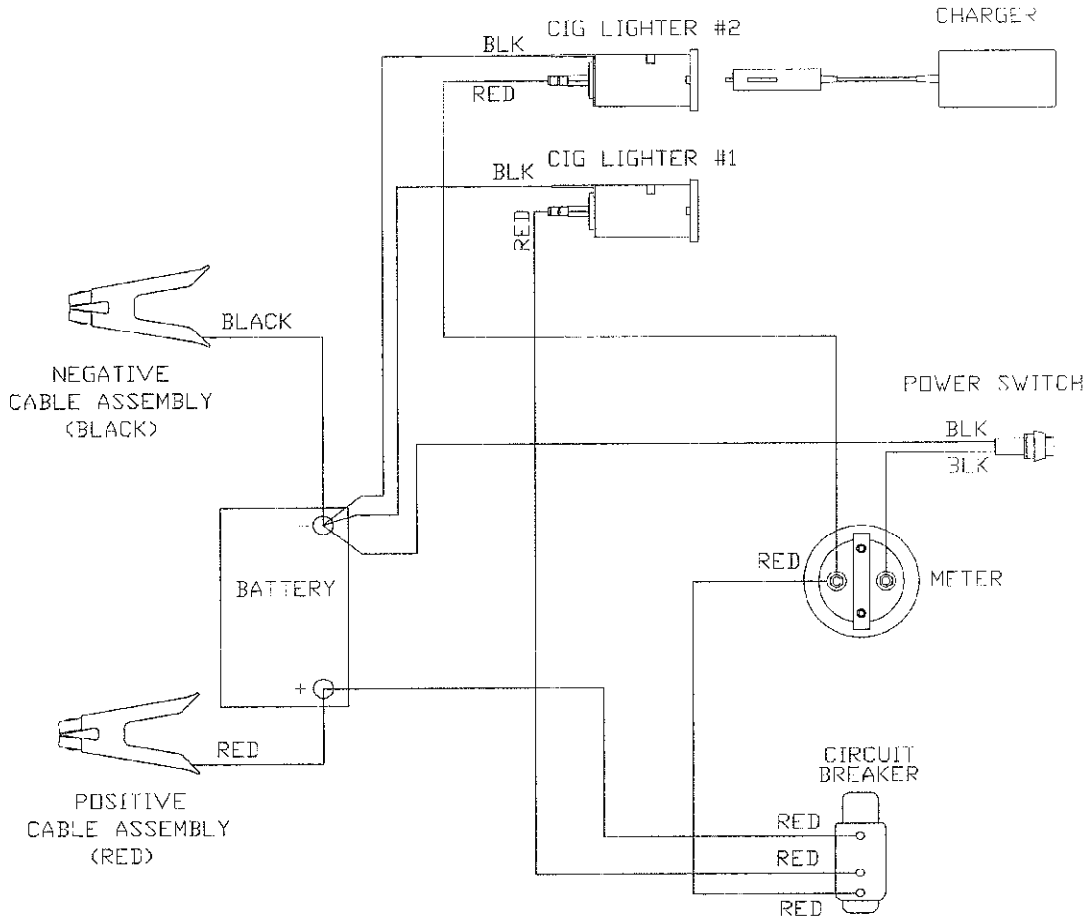
REPLACEMENT PARTS LIST
JNC950
146-046-000



ITEM	PART NUMBER	DESCRIPTION
1	238-603-666	CABLE CLAMP +/-
	249-093-000	BLACK CLAMP only
	249-094-000	RED CLAMP only
2	247-152-666	VOLTMETER
3	246-479-666	STATUS SWITCH
4	246-416-666	20A CIRCUIT BREAKER
5	141-362-666	1A AUTO CHARGER W/CORD
	JNC241	CHR CORD only
6	JNC080	33 AH BATTERY
7	ESA1	12V EXTENSION CORD
8	246-417-666	CIG SOCKET

SERVICING SHOULD BE PERFORMED BY QUALIFIED SERVICE PERSONNEL

800 397 7553



WIRING DIAGRAM

