



FMI PRODUCTS, LLC

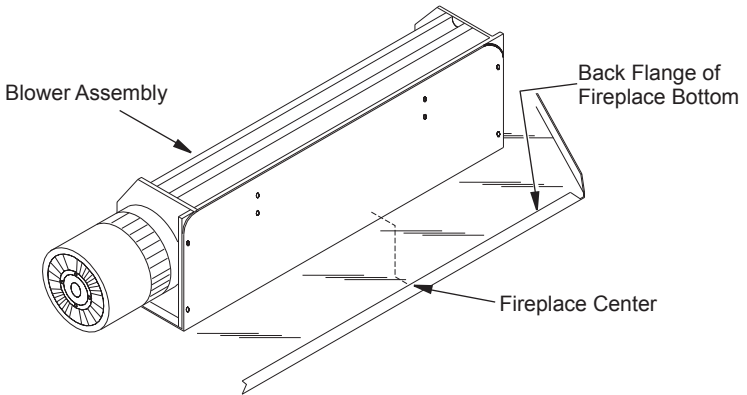
## INSTALLATION INSTRUCTIONS FOR BLOWER KIT MODELS DVFFBK AND DVFFBKT

**⚠ WARNING: Disconnect all electrical power to the fireplace. Be careful of burrs and sharp edges.**

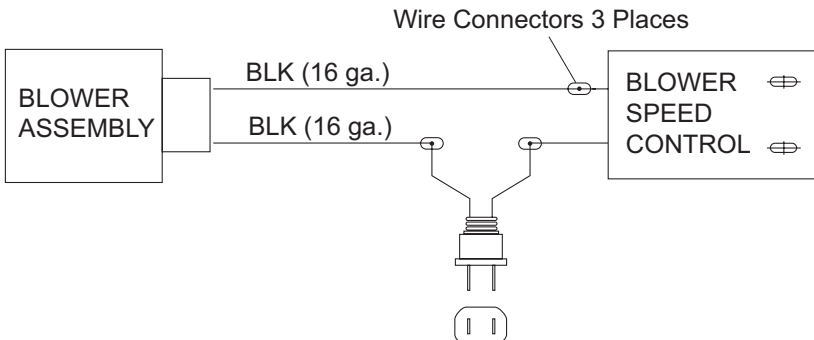
1. Install, as shown in Figure 1, so that the blower assembly rests flush against back center of the fireplace bottom.

*NOTE:* If the blower kit is not installed flush against the back of fireplace, the circulating air from blower system will not flow properly.

2. Please refer to page 2 for speed control installation instructions, and page 3 for Thermo-Disc installation.
3. Blower assembly is to be set into place before wiring.



**Figure 1 - Installing Blower Assembly**

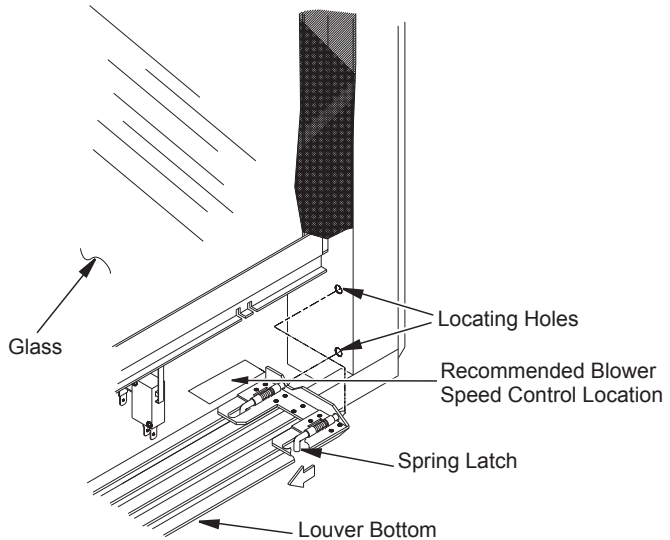


**Figure 2 - Wiring Diagram**

Save this manual for future reference

## BLOWER SPEED CONTROL INSTALLATION

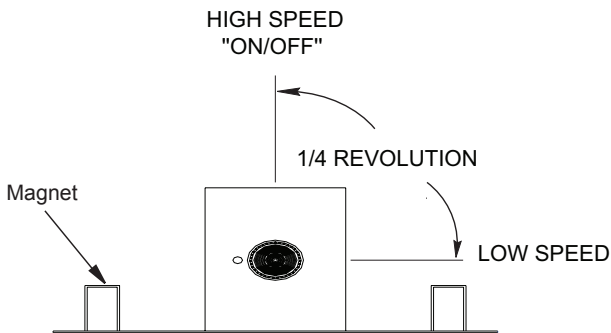
Install the speed control switch by setting entire assembly on the inner bottom of firebox as shown in Figure 3. The switch bracket is equipped with two magnets on the left and right side of switch box to properly fasten it to the bottom of fireplace. Locate assembly conveniently so that it does not interfere with any components and or fasteners.



**Figure 3 - Installing Speed Control**

## BLOWER SPEED CONTROL OPERATION

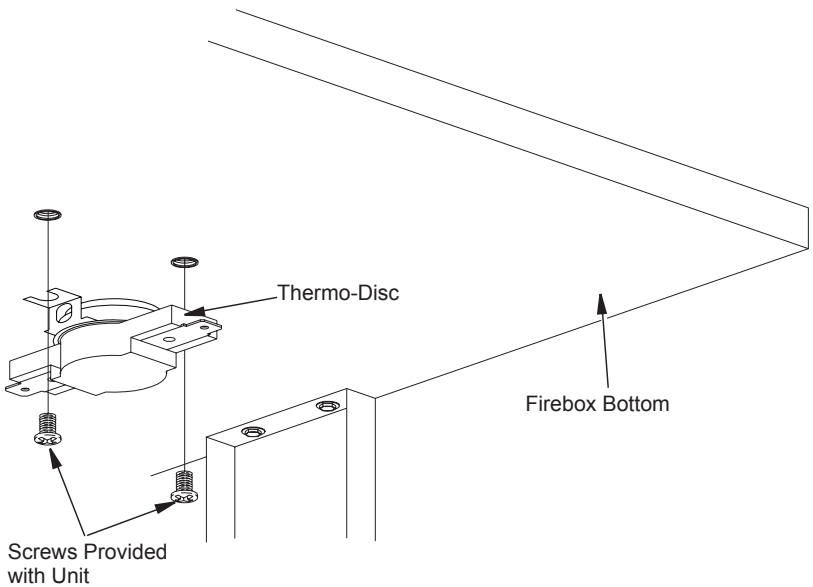
1. To locate the blower speed control knob, pull simultaneously on both spring latches ( located in each end of bottom louver) toward center of appliance until disengaged from locating holes.
2. Repeat for bottom end spring latches, and pull the louver toward and away from the fireplace.
3. Locate speed control knob on the lower right support. (Refer to Figure. 3). To turn the blower speed control "on," turn the knob clockwise. (See Figure 4).



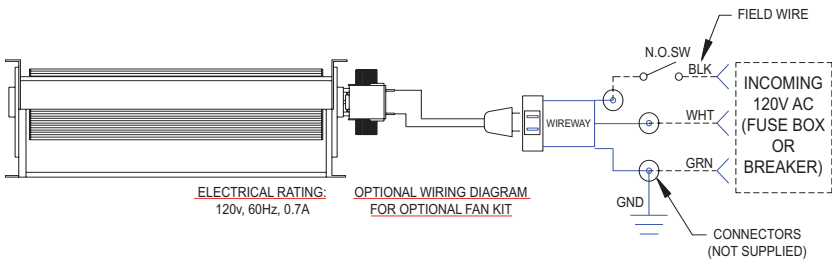
**Figure 4 - Speed control Operation**

## INSTALLING THERMO-DISC (DVF SERIES FIREPLACES)

1. Removed the two screws located underneath the firebox next to the orifice fitting as shown in Figure 5.
2. Place the thermo-disc to the bottom of firebox and secure it with above mentions crews with the flat portion of switch against the bottom of firebox.
3. After steps one and two are completed, connect the loose back wire from speed control to one side of Thermo-Disc switch and connect the black wire (supplied with fan kit) to the other side of thermo-disc switch.
4. Once the above steps are done, insert the fan assembly in fireplace.



**Figure 5 - Installing Thermo-Disc**



**Figure 6 - Wiring Diagram**



**FMI PRODUCTS, LLC**  
2701 S. Harbor Blvd.  
Santa Ana, CA 92704  
1-866-328-4537  
**[www.fmiproducts.com](http://www.fmiproducts.com)**

55406  
Rev. C  
11/11