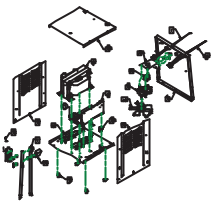
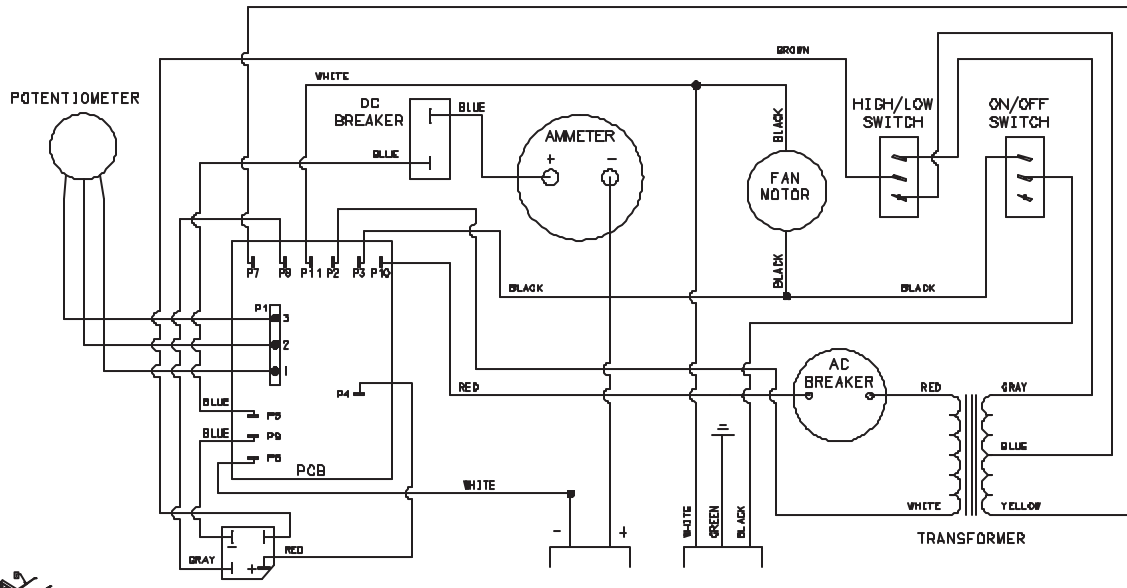


WIRING DIAGRAM



	ITEM DESCRIPTION	PART NO.
1	Switch	610172
2	Ammeter	605616
3	AC Cord	610628
4	DC Cables	610898
5	Bridge Rectifier	610090
6	Transformer	610629
7	PC Board	610630
8	Fan Bracket	610631
9	Fan Motor	610632
10	Fan Blade	610189
11	Potentiometer	610633
12	DC Circuit Breaker	610640
13	Side Panels (1 pair)	610253
14	Back Panel	610897
15	Front Panel	610635
16	Top Panel	610636
17	Base	610637
18	PCB standoff	610638
19	Feet	610639
20	AC Circuit Breaker	610808