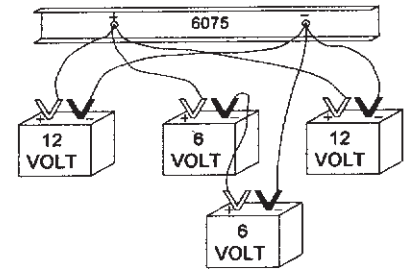


**TO CHARGE 6 VOLT BATTERIES:**

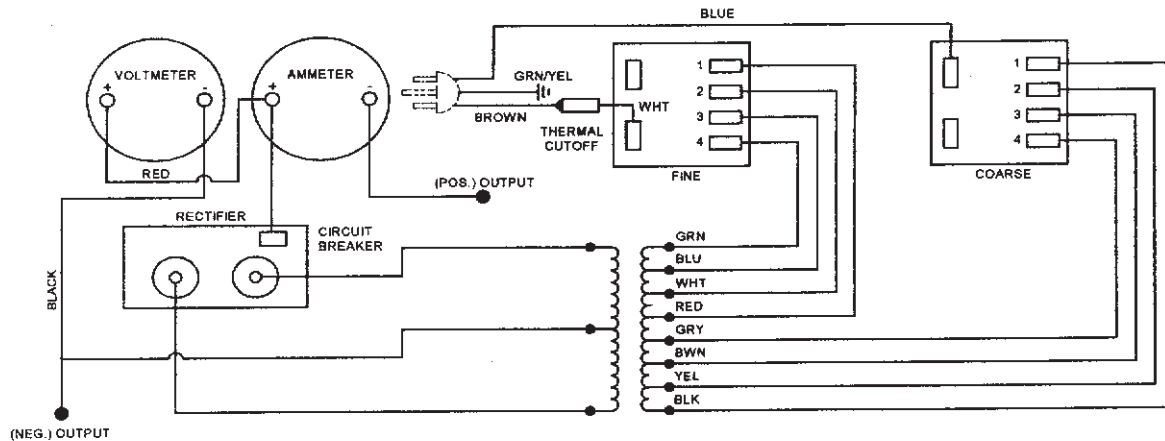
- a. Six volt batteries must be charged in pairs (2 at a time).
- b. The 6 volt batteries must be connected in series (positive post of one battery to the negative post of the other battery) and then connected in parallel with other batteries.
- c. Never connect one 6 volt battery to the charger.
- d. Only 12 volt and pairs of 6 volt batteries may be charged with this unit. No other voltage battery may be charged with this charger.



**END OF CHARGE**

- a. Discontinue charging when the specific gravity reading does not change in 3 consecutive readings, battery is freely gassing or when the electrolyte reaches 120 degrees Fahrenheit. If your battery is sealed and these determinations cannot be made, see manufacturer's instructions for charging.

**WIRING DIAGRAM**



**MODEL 6078 PARTS LIST**

Switch w/knob (1) .....	605675	Rectifier Asm.....	610100	Base .....	611150
Ammeter .....	605632	Circuit Breaker.....	610069	Front Panel .....	611151
Voltmeter .....	610058	Handle (Optional Accessory).....	610057	Back Panel.....	611152
A.C. Cord .....	611149	Side Panels (1 Pr).....	610253	Transformer .....	610198
D.C. Cable .....	605628	Top Panel.....	610075		

Parts may be purchased from your local authorized service center listed in the Service Procedure manual supplied with your product. If you elect to order parts from the factory you may do so by mail or phone. Minimum order from the factory is \$25.00. Orders received that are under the minimum will not be processed. Taxes and freight are extra and are not considered to be part of the dollar value of the order. We do not have a C.O.D. policy. Cashier check, money order, MasterCard or VISA are acceptable. If you use a MasterCard or VISA send only the number and expiration. DO NOT SEND THE CARD.

**MAINTENANCE INSTRUCTIONS**

Any Maintenance or repair of this unit that involves disassembly of the cabinet should be done only by a qualified service technician. Incorrect reassembly may result in a risk of electric shock when the unit is subsequently used.

ASSOCIATED EQUIPMENT CORPORATION  
 5043 FARLIN AVENUE ST. LOUIS, MO 63115 (314) 385-5178  
 WWW.ASSOCIATEDEQUIP.COM