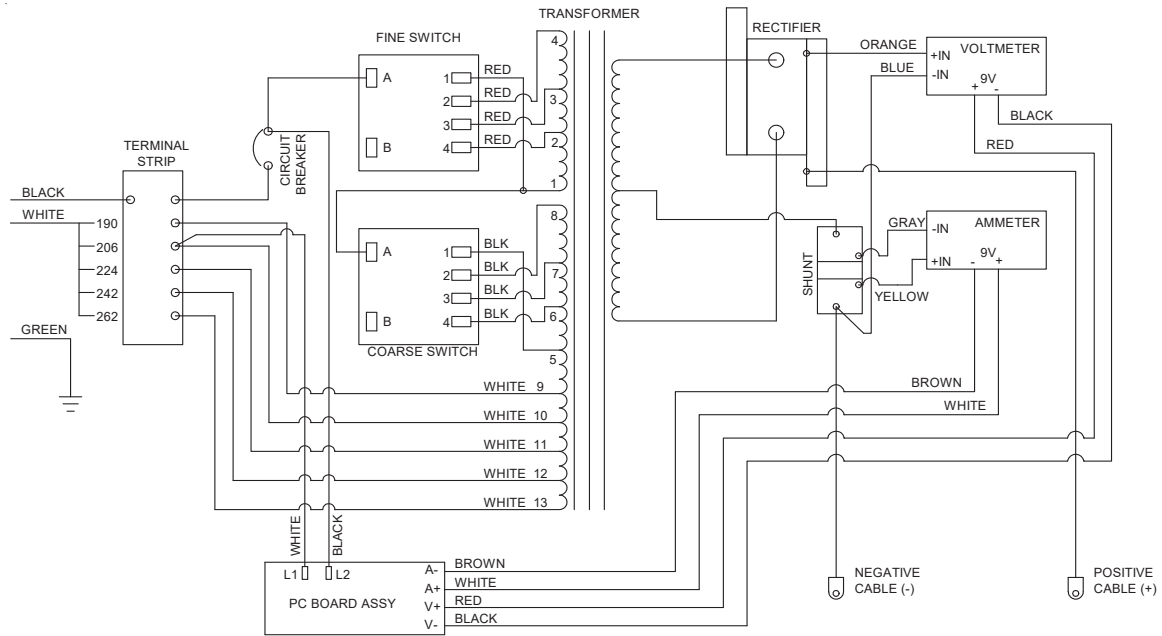


WIRING DIAGRAM



MODEL 6068 PARTS LIST

Transformer	610900	On/Off Breaker (1)	610272	Switch with knob (1)	605675
Diode	610275	DC Cable set	610276	Clamps (1pair, includes jaws)	6202
Ammeter	610891	Voltmeter	610890	Jaw Kit (repairs 1 clamp)	6204
P.C. Board	610901	Bezel w/hardware	610899		