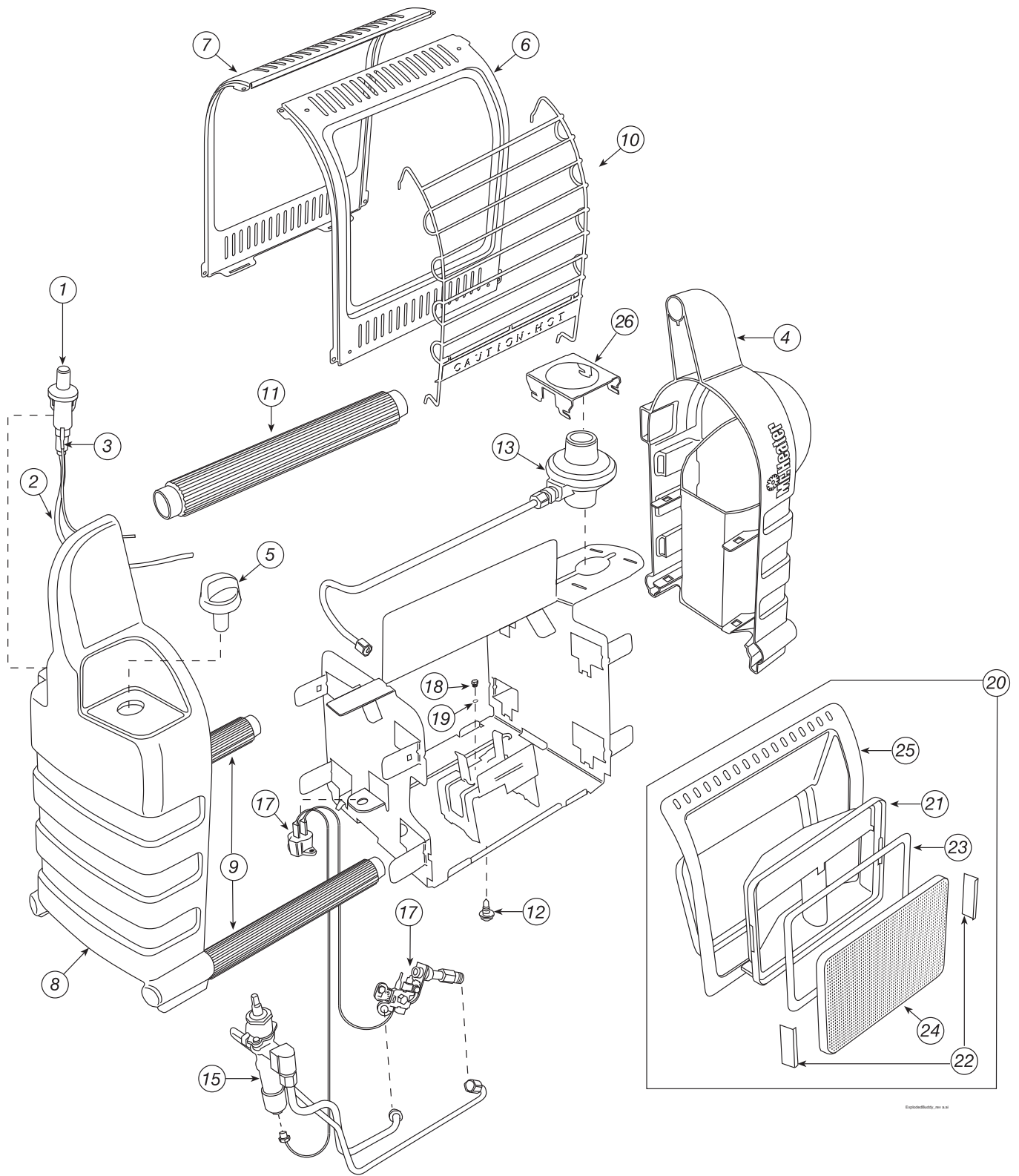


Mr. Heater • Portable Buddy • Model # MH9B



- 9 Apply air pressure (max. 30 psi.) into ceramic tile of burner assembly and the venturi tube (with cone on end, ref. item #21) to remove dust, lint or spider webs.
- 10 Make sure the burner tile assembly is completely seated against the reflector.
- 11 Carefully slide burner assembly back into casing assembly making sure to center reflector flange with the casing opening and hold in place while installing burner assembly screw in the bottom of the heater.
- 12 Install wire guard by gently bending and inserting into the (4) holes in the front cover.

TROUBLESHOOTING INFORMATION:

If Spark electrode does not produce spark.

CHECK

- Spark electrode broken – replace.
- Igniter wire may not be attached to spark electrode, ground wire may not be attached to frame - attach.
- Igniter wire damaged – replace.
- Piezo igniter defective – replace.

If Spark electrode produces spark but pilot does not light.

CHECK

- No gas to heater – install disposable cylinder or connect hose and turn on valve at remote cylinder.
- "PILOT" position not properly aligned – turn gas control knob to "PILOT" position and depress.
- Pilot is blocked from spider web or dirt – clean pilot, see MAINTENANCE.

If Pilot flame does not stay lit when knob is released.

CHECK

- Control knob in "PILOT" position not completely depressed or held in long enough to purge air from lines.
- Pilot flame not surrounding thermocouple – clean pilot, see MAINTENANCE.
- Pilot Assembly defective – replace.
- Tip switch wires disconnected – connect.

If Main burner does not ignite.

CHECK

- Main burner orifice is blocked – clean burner, see MAINTENANCE.

If Heater keeps shutting "OFF" during normal operation.

CHECK

- Pilot is blocked – clean pilot, see MAINTENANCE.
- Provide minimum fresh air opening of 9 square inches (example 3" x 3" opening).
- Tip over switch activated from bumping heater. Re-light

PARTS LIST:

SEE BACK PAGE FOR PARTS ORDERING INFORMATION

REF. #	ITEM #	DESCRIPTION
1	73234	PIEZO IGNITER
2	73236	WIRE, IGNITER
3	73237	WIRE, GROUND
4	73405	COVER, RH PLASTIC
5	73418	KNOB, FUEL CONTROL
6	73423	COVER, FRONT
7	73424	COVER, REAR
8	73426	COVER, LH PLASTIC
9	73428	(2) BASE SUPPORT TUBES
10	73449P	GUARD, WIRE
11	73452	HANDLE TUBE
12	98959	SCREW, BURNER MT.
13	11409	REGULATOR
14	73432	OWNER'S MANUAL <i>(Required when ordering parts.)</i>
15	73492	CONTROL VALVE
17	73499	PILOT ODS / TIP SWITCH ASSEMBLY
18	73413	ORIFICE, BURNER
19	71113	O-RING, BURNER ORIFICE
20	73446	COMPLETE BURNER ASSEMBLY <i>(Includes assembled items 21- 25)</i>
21	73458	PLENUM, BURNER
22	73429	(2) CLIP, BURNER TILE
23	73433	GASKET, BURNER TILE
24	73439	BURNER TILE
25	73460	REFLECTOR, BURNER
26	73422	REGULATOR HOLD DOWN

ACCESSORIES:

ITEM #	DESCRIPTION
F273701	5 ft. PROPANE HOSE ASSEMBLY (Swivel 1"-20 Male Throwaway Cyl. Thd. X P.O.L. w/ Handwheel) (Recommended use with fuel filter.)
F273702	12 ft. PROPANE HOSE ASSEMBLY (Swivel 1"-20 Male Throwaway Cyl. Thd. X P.O.L. w/ Handwheel) (Recommended use with fuel filter.)
F272702	12 ft. PROPANE HOSE ASSEMBLY (Swivel 1"-20 Male Throwaway Cyl. Thd. X P.O.L. Handwheel) (Recommended use with fuel filter.)
F273699	Fuel Filter (Replace Annually)
F273704	10 ft. BUDDY-SERIES HOSE ASSEMBLY (Fuel filter not required)