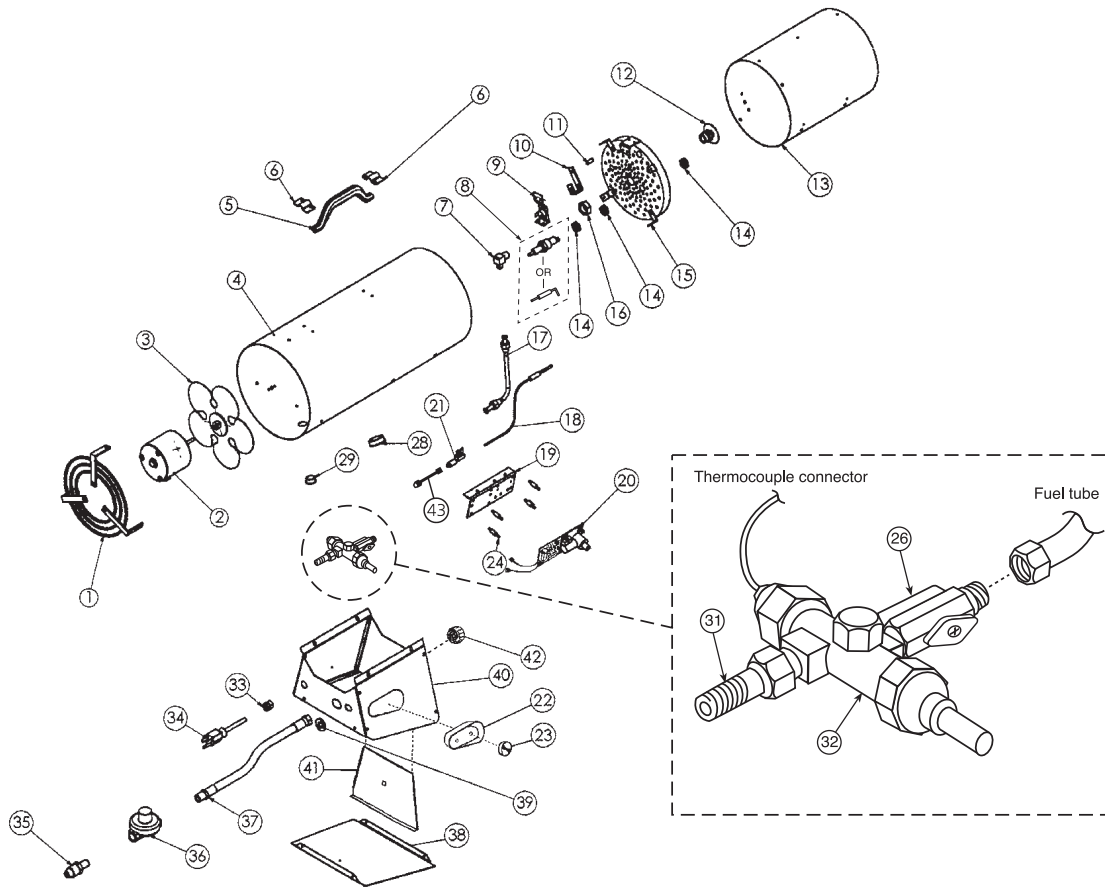


## Forced Air Propane Construction Heater • Model #55FAV, 60FAV, 85FAV, 125FAV

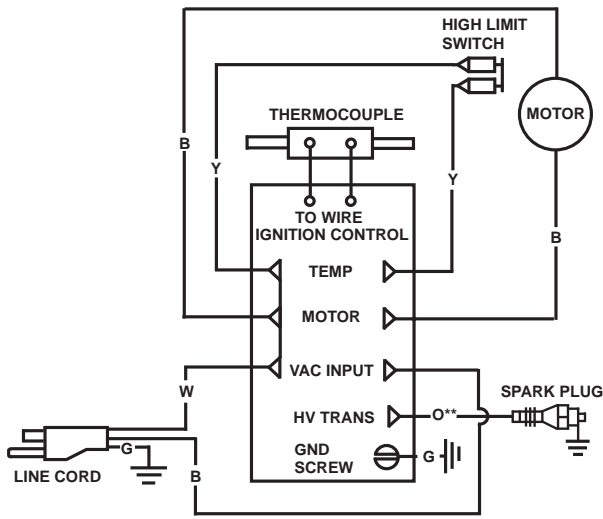


REF. #	#	ITEM	DESCRIPTION	QTY.	REF. #	#	ITEM	DESCRIPTION	QTY.				
55FAV	60FAV	85FAV	125FAV		55FAV	60FAV	85FAV	125FAV					
1	21654	21654	21654	21671	Motor Grille Assy	1	32	27285	27285	27285	27285	Thermoelectric Valve	1
2	21652	21652	21652	21551	Motor Assy	1	33	26223	26223	26223	26223	Strain Relief Bushing	1
3	26086	26086	26086	27898	Fan	1	34	21036	21036	21036	21036	Power Cord Assy	1
4	21729	21729	21729	21998	Outer Shell	1	35	26433	26433	26433	26433	POL Excess Flow 1/4 MPT	1
	21730	21730	21730	21999	Outer Shell - Model TS	1	36	26257	26257	26257	26257	Regulator 28" WC W/POL	1
5	28075	28075	28075	28075	Handle, plastic	1	37	26152	26152	26152	26152	Hose Assy, LP, 12'	1
6	28074	28074	28074	28074	Clip Handle Mounting, plastic	2	*	26152-20	26152-20	26152-20	26152-20	Hose Ass'y, 20' (HS only)	1
7	26121	26121	26121	27433	Ftg, Male Elbow	1	*	21667	21667	21667	21667	Hose & Regulator Ass'y	1
8	21082	—	—	21083	Spark Plug	1	38	24017	24019	24019	24019	Panel, Bottom	1
	—	28166	28167	—	Ignitor Electrode	1	40	24020	24020	24022	24022	Control Box Assy	1
9	21751	21751	21751	22003	High Limit Control Assy	1	41	24023	24023	24025	24025	Elevation Plate	1
10	—	—	23036	23036	Bracket Thermocouple	1	42	25026	25026	25026	25026	Elevation Knob	1
11	—	—	23787	23787	Spacer Thermocouple	1	43	26656	26656	26656	26656	Thermocouple, connector	1
12	21930	22008	22007	22002	Orifice Assy, LP	1	*	26189	—	—	—	Terminal "Y"	2
13	21651	21651	21651	22001	Middle Cylinder Assy	1	*	23676	23676	—	—	Brkt, Motor Mounting	1
14	23037	23037	23037	23037	Spark Plug Nut (2-55FAV)	3	*	26226	26226	—	—	Universal Bushing	1
15	21931	22006	22009	22004	Flame Holder Assy	1	*	70056	70056	70056	70056	Manual, Operating Instr	1
16	23038	23038	23038	23038	Orifice Nut Mtg	1	*	28733	28163	28724	28510	Label, Model	1
17	21941	21655	21655	21655	Fuel Tube Assy	1	*	27783	28727	28784	28784	Label, Operating Instr.	1
18	26655	26655	26655	26655	Thermocouple 10" Lg w/JB.	1	*	26374	26374	26374	26374	Label, Electrical Grounding	1
19	23045	23045	23045	23045	Bracket Ignition / Relay	1	*	27709	27709	27709	27709	Label, Fuel	1
20	23276	23276	23276	23276	Ignition / Relay Module	1	*	27503	27503	27503	27503	Label, Wiring Diagram	1
21	26134	26134	26134	26134	Compression Block, Relay	1	*	26373	26373	26373	26373	Label, Fan Rotation	1
22	27093	27093	27093	27093	Cover, Cup, Valve	1	*	28203	28203	28203	28203	Label Hang Tag, LP	1
23	25027	25027	25027	25027	Knob, Variable Rate	1	*	27704	27704	27704	27704	Label, Warning	1
24	26079	26079	26079	26079	Spacer PC Standoff	3	*	26375	26375	26375	26375	Label Elevation Adjustment	1
26	27422	22010	22011	27418	Variable Rate Valve	1	*	26376	26376	26376	26376	Label Btu/hr Adjustment	1
28	26225	26225	26225	26227	Snap Bushing	1							
29	26224	26224	26224	27158	Snap Bushing, 1/2	1							
31	26127	26127	26127	26127	Ftg, Male Connector	1							

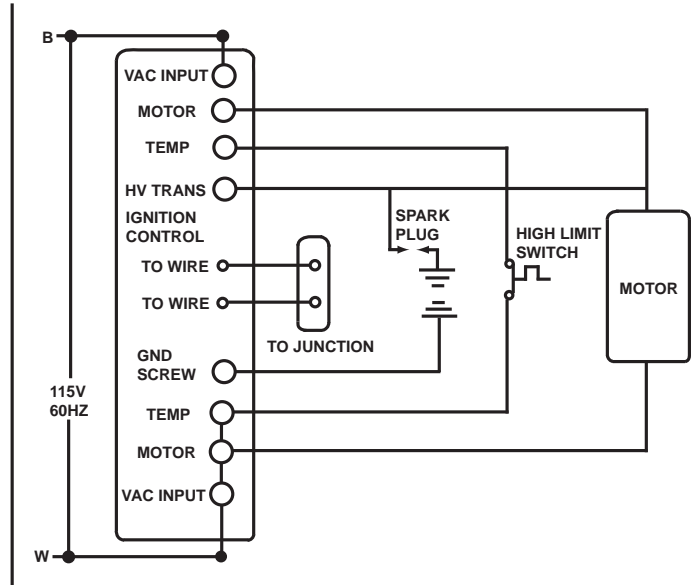
\* Not shown on exploded view

WIRING DIAGRAMS

CONNECTION DIAGRAM



SCHEMATIC DIAGRAM



COLOR CODE		LEGEND	
B	BLACK	R	RED
W	WHITE	Y	YEL
G	GREEN	O	ORG
		>	FEMALE CONN.
		○	RING CONN.

**NOTE:** If any original wiring as supplied with the heater, must be replaced, It must be replaced with Type AWG 105° C wire or its equivalent, except as indicated (Type SF 2.200, \*\*SGI-250° C)

WIRING CHART (Wire: Type AWG 150° C or equivalent (Type SF2-200, \*\*SGI-250° C))

Color	Length	From	To
Yellow	18" (406mm)	High Limit	Ignition Control Temp. Terminal
Yellow	18" (406mm)	High Limit	Ignition Control Temp Terminal